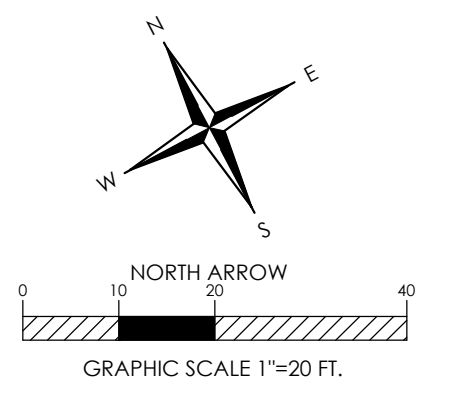


ADE 859, LLC
PARCEL#01722108
DB 33931 / PG 5
ZONING: CB

TOWN OF HUNTERSVILLE
PARCEL#0172311
DB 32691 / PG 459
ZONING: CB

ANGELO PONCE
PARCEL#01740102
DB 32325 / PG 15
ZONING: CB



PATERSON ROAD

HAMBRIGHT ROAD

EXISTING BUILDING TO BE CONVERTED TO COMMERCIAL SPACE

EXISTING HOUSE TO BE CONVERTED TO OFFICE SPACE

STORMWATER POND

SEPTIC DRAIN FIELD

EXISTING SEPTIC TANK (APPROX. LOCATION)

8,000 SQ-FT BUILDING

###

###