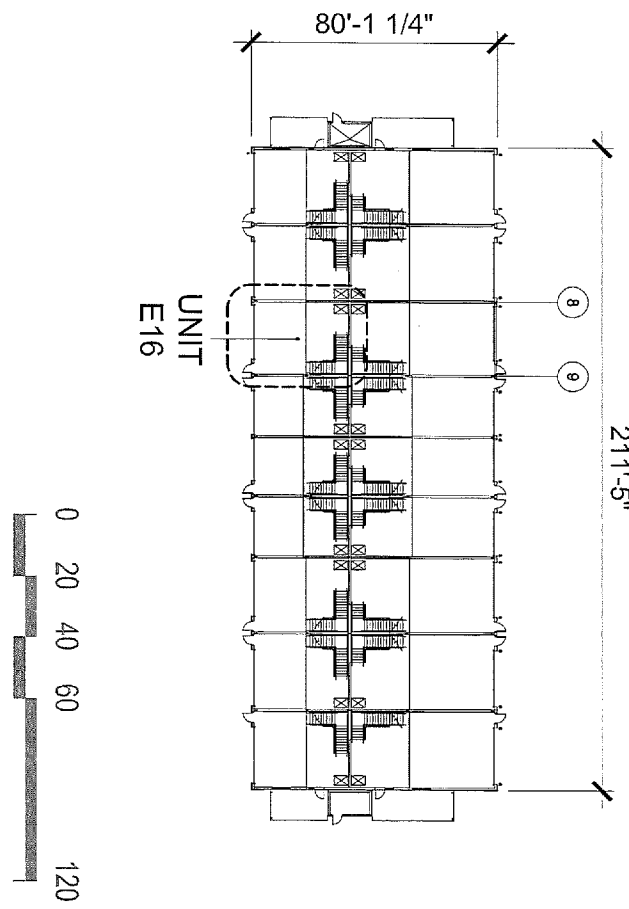
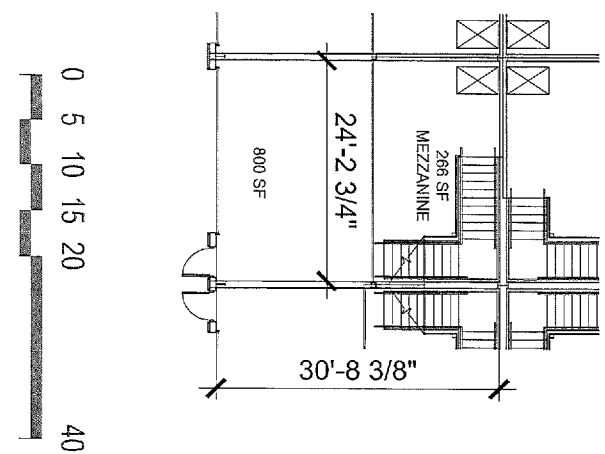


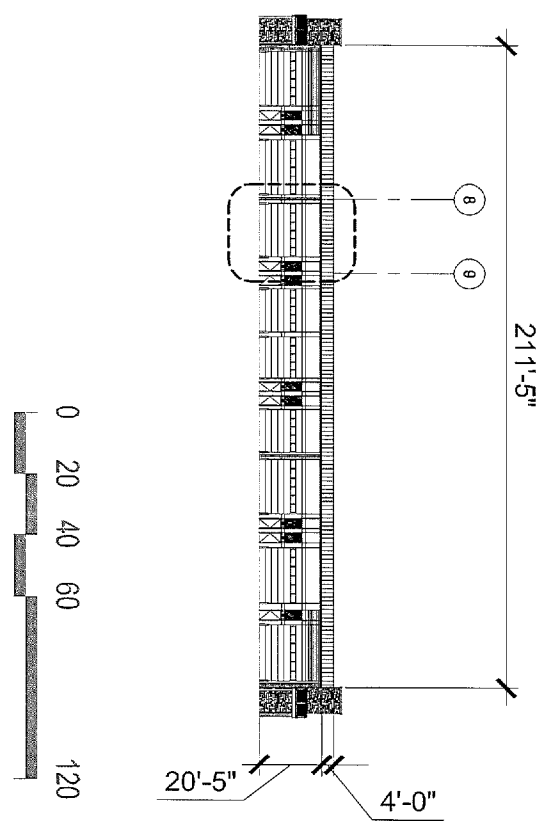
1 BUILDING 5 - UNIT LOCATION



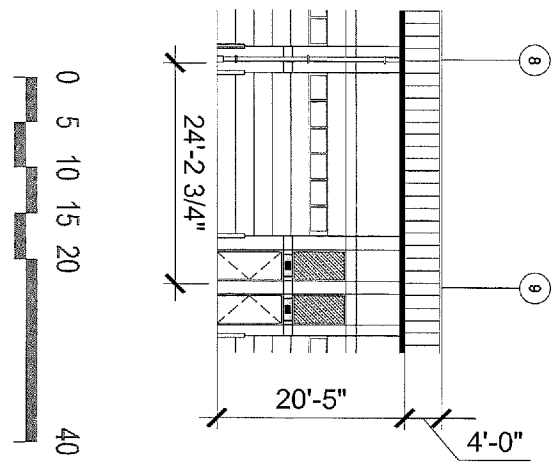
2 UNIT FLOOR PLAN



3 FRONT ELEVATION



4 UNIT ELEVATION



GARAGES OF TEXAS AT FRISCO
CORNERSTONE DEVELOPMENT CORP.

6767 ALL STARS AVENUE
FRISCO, TEXAS

Licensee:
BUILDING 5

Date: 6/13/18 Area: 2,000 s.f.

Unit Number:
E16

General Notes:
-Unit layout for reference only.
-Owner must verify all dimensions and heights prior any unit improvement.