

ABBREVIATION KEY:	
F.D.	FLOOR DRAIN
C.O.	CLEAN OUT
W.C.O.	WALL CLEAN OUT

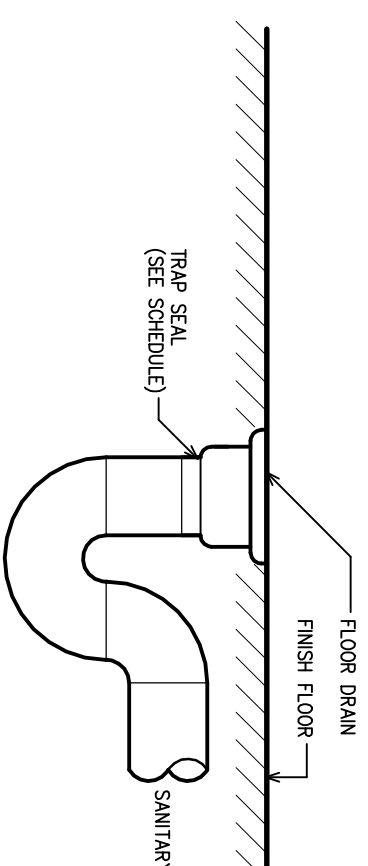
PLUMBING NOTES

- PLUMBING WORK SHALL BE IN ACCORDANCE WITH ALL LOCAL AND STATE CODES.
 - THE PLUMBING CONTRACTOR SHALL BE RESPONSIBLE FOR ALL SULLS, FLOORS, ETC. TO ACCOMMODATE THE PLUMBING WORK.
 - ALL PLUMBING PIPING SHALL BE CONCEALED UNLESS OTHERWISE SPECIFIED. ALL PLUMBING SHALL BE INSTALLED IN ACCORDANCE WITH THE PLUMBING CODES AND SHALL BE INSTALLED WITH NO JOINTS.
 - ALL PLUMBING PIPING SHALL BE INSULATED PER LOT'S HFC 2015 PLUMBING CODES.
 - THE CONTRACTOR SHALL PROVIDE ALL NECESSARY NEW VALVES, FITTINGS, AND FIXTURES.
- MATERIALS**
- UNDERGROUND WATER PIPING, TYPE "K" SOFT COPPER
 - ABOVEGROUND WATER PIPING, TYPE "L" HARD COPPER
 - SOLDERING, 15-5 TIN-ANTHONY OR SIL FLOWS (DO NOT USE LEAD)
 - 30 W/2% AND WASTE PIPING, NO-HUB CAST IRON OR SCHEDULE
 - WAST PIPING, NO-HUB CAST IRON, SCHEDULE 40 GALVANIZED IN A RETURN AIR PLUMBING
 - CONDENSATE PIPING, SCHEDULE 40 GALVANIZED IN A RETURN AIR PLUMBING
 - GAS PIPING, SCHEDULE 40 BLACK STEEL, ASTM A-53 WITH BRONZE VALVES
 - BY-PRODUCTS, NEW FLOOR DRAINS SHALL BE AS MANUFACTURED
- WHOLE BUILDING AND APPLIANCES MUST BE ENERGY STAR CERTIFIED.
 - WATERSENSIVE LAVATORY FIXTURES MUST BE USED.

PLUMBING SCHEDULE

TYPE	MFG.	MODEL	ACCESSORIES/NOTES
LAVATORY	AMERICAN STANDARD	LUCENTRE W/ER	ADA COMPLIANT, 1/2" ELONGATED FLUSHETS
WATER CLOSET	AMERICAN STANDARD	1/2" R. HEIGHT FLUSHETER	ADA COMPLIANT, 1/2" ELONGATED FLUSHETER
WATER HEATER	LOCHINVAR	GSN 030 35	ADA BARRIER FREE
HOP SINK	FARBO HFG.	431-001	30 GAL/ON 35,000 BTU/HR
DRINKING FOUNTAIN	EIKAY	E231LRBDDC	REGENCY WALL MOUNT FAUCET
FLOOR DRAIN	ZURN	FD2200-PV3	ADA BARRIER FREE

WHOLE BUILDING AND APPLIANCES MUST BE ENERGY STAR CERTIFIED.
WATERSENSIVE LAVATORY FIXTURES MUST BE USED.



TRAP PRIMER DETAIL

NO SCALE

