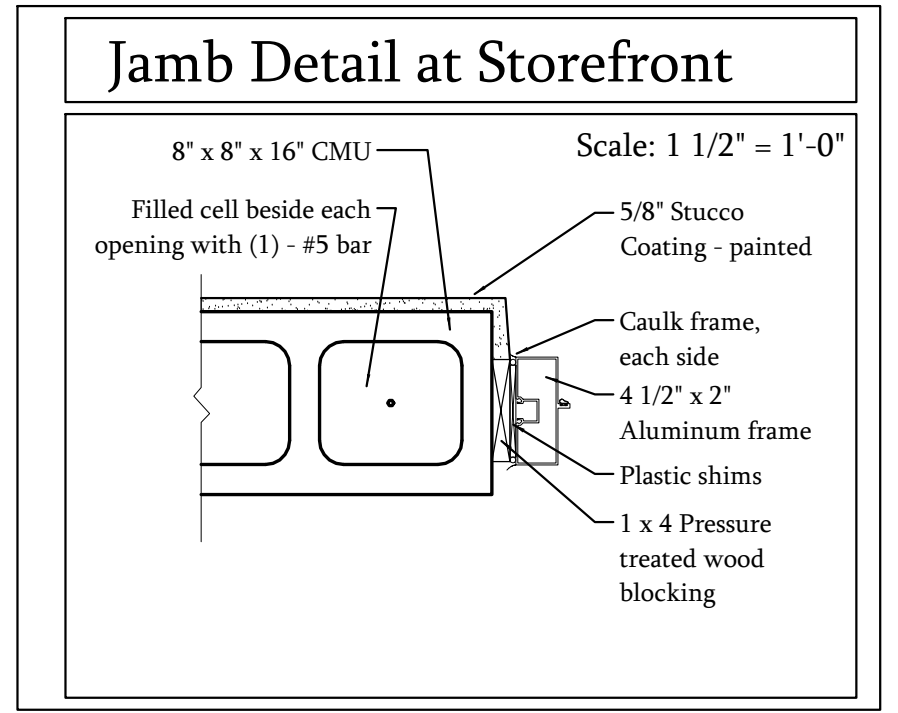
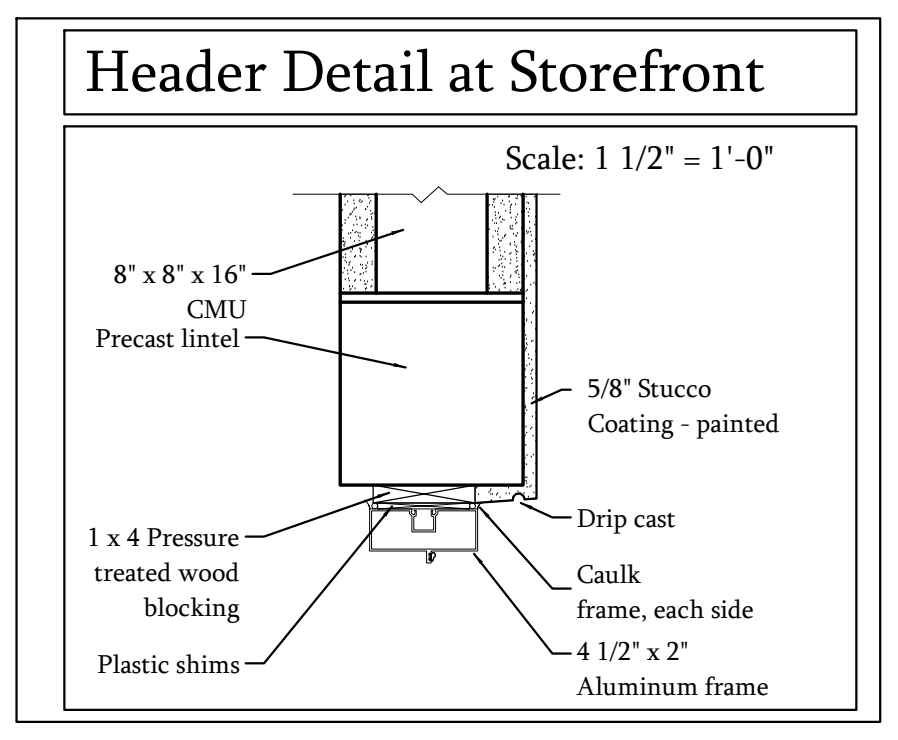


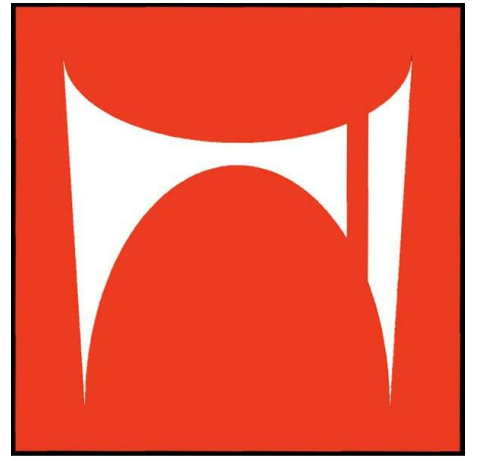
- ### FLOOR PLAN NOTES
- UNLESS OTHERWISE INDICATED ON THE DRAWINGS OR IN THE DOCUMENTS OR SPECIFICATIONS, THE FOLLOWING NOTES APPLY:
- DO NOT SCALE DRAWINGS. WRITTEN DIMENSIONS GOVERN. IF DIMENSIONS ARE IN QUESTION OBTAIN CLARIFICATION FROM ARCHITECT. SHOULD THE CONTRACTOR IDENTIFY ANY DISCREPANCIES IN DIMENSIONS, NOTIFY THE ARCHITECT IMMEDIATELY.
 - ALL DIMENSIONS ARE GIVEN TO GRIDLINES, FACE OF STUD/MASONRY WALLS AND CENTERLINE OF STRUCTURAL COLUMNS. ALL DIMENSIONS MARKED "CLEAR" SHALL BE MAINTAINED AS A CLEAR WIDTH BETWEEN FINISHES.
 - ALL CONSTRUCTION SHALL MEET APPLICABLE BUILDING CODES AS LISTED IN CODE SUMMARY AND AS REQUIRED BY LOCAL AUTHORITIES HAVING JURISDICTION (AHJ).
 - ALL WORK NOTED "BY OTHERS", "NIC", OR "SUPPLIED BY OWNER" SHALL BE PROVIDED BY OWNER OR OWNER'S CONSULTANT UNDER A SEPARATE AGREEMENT. ALL WORK TO BE PROVIDED BY OWNER AND INSTALLED BY CONTRACTOR TO BE DEFINED IN AN EXHIBIT TO CONSTRUCTION CONTRACT.
 - "ALIGN" SHALL MEAN TO ACCURATELY LOCATE FINISH FACES IN THE SAME PLANE.
 - "SIMILAR" MEANS COMPARABLE CHARACTERISTICS FOR THE CONDITIONS NOTED. VERIFY DIMENSIONS AND ORIENTATION ON PLANS AND ELEVATIONS.
 - SEE WALL TYPE PLANS FOR ADDITIONAL NOTATIONS INDICATING WALL TYPE REFERENCES.
 - ALL DIMENSIONS, ELEVATIONS AND CONDITIONS INDICATED IN THE DOCUMENTS ARE TO BE FIELD VERIFIED BY THE CONTRACTOR PRIOR TO FABRICATION OF ANY MATERIAL OR BEGINNING CONSTRUCTION IN ANY AREA. ANY DISCREPANCIES IN ACTUAL DIMENSIONS OR CONDITIONS ARE TO BE BROUGHT TO THE ARCHITECT'S/OWNER'S ATTENTION FOR RESOLUTION WITH THE WORK. WHERE THE WORD "VERIFY" OCCURS NEXT TO A DIMENSION, THE GENERAL CONTRACTOR IS RESPONSIBLE FOR VERIFYING DIMENSIONS (WITH MANUFACTURERS, ETC.) AS REQUIRED FOR PROPER FIT.
 - PROVIDE FIRESTOPPING AND DRAFFSTOPPING PER APPLICABLE REFERENCED BUILDING CODE(S) AT ANY AND ALL WALLS, PARTITIONS, BULKHEADS, FURRING, CHASES, AND COLUMN ENCLOSURES WHERE REQUIRED, AND AT PENETRATIONS OF FIRE-RESISTANCE RATED ENCLOSURES AND SIMILAR CONSTRUCTION. REFER TO MEP DRAWINGS AND SPECIFICATIONS FOR THROUGH-PENETRATIONS.
 - CONTRACTOR TO PROVIDE BLOCKING FOR ALL WALL MOUNTED ACCESSORIES INCLUDING, BUT NOT LIMITED TO, CABINETS, TOILET ACCESSORIES, SHELVING, HEADBOARDS, MIRRORS, ARMOIRE TIP PROTECTION CHAIR, TOWEL BARS, AND DRAPERIES. PROVIDE FIRE RETARDANT BLOCKING IN ALL RATED WALLS.
 - ALL CONDUIT OR PIPING NOT OTHERWISE CONSEALED IN WALLS OR CHASES SHALL BE LOCATED WITHIN METAL STUD/ CHANNEL FURRING AND FINISHED TO THE LEVEL OF THE ADJACENT SURFACES, WHETHER OR NOT INDICATED ON DRAWINGS.
 - CONTRACTOR TO COORDINATE TUB AND SHOWER UNIT ROUGH OPENING SIZE AND MAINTAIN FIRE AND SOUND RATING AROUND TUB AND SHOWER UNITS.
 - PRIOR TO CONSTRUCTION OF THE PROJECT, THE CONTRACTOR SHALL COORDINATE AND VERIFY THE LOCATION OF LIGHTING FIXTURES AND ELECTRICAL RECEPTACLES WITH THE OWNERS FURNITURE AND EQUIPMENT PLAN. THE CONTRACTOR SHALL BRING ANY SUSPECTED DISCREPANCIES TO THE ATTENTION OF THE OWNER'S REPRESENTATIVE FOR RESOLUTION PRIOR TO CONSTRUCTION.
 - ALIGN FINISHED FACE OF CONTINUOUS PARTITIONS THAT CHANGE PARTITION TYPES ALONG A STRAIGHT RUN.
 - COORDINATE WITH FIRE PROTECTION SUBCONTRACTOR FOR LOCATION OF INSPECTOR'S TEST VALVE AND SIGHT GLASS. PROVIDE FIRE RATED ACCESS PANEL AS APPROPRIATE FOR ALL LOCATIONS.
 - THESE DRAWINGS ARE PREPARED PER ESTABLISHED INDUSTRY STANDARDS AND REPRESENT THE ARCHITECT AND ENGINEER'S DESIGN CONCEPT. THEY ARE NOT INTENDED TO PROVIDE EVERY DETAIL OR CONDITION REQUIRED TO CONSTRUCT THE BUILDING. THE CONTRACTOR, THROUGH SUBMITTALS AND OTHER COORDINATION EFFORTS, IS FULLY RESPONSIBLE FOR PROVIDING A COMPLETE, CODE COMPLIANT AND OPERATIONAL BUILDING WHETHER INDICATED ON THE PLANS OR NOT. EXTERIOR BUILDING SIGNAGE AND POOL ARE NOT APPROVED WITHIN THE SCOPE OF THE BUILDING PERMIT. CONTRACTOR TO INSTALL ELECTRICAL JUNCTION BOXES FOR SIGNAGE AND COORDINATE WITH OWNER/CONTRACTOR TO OBTAIN SEPARATE SIGNAGE/ POOL PERMITS.



Wall rating legend

	Non rated partition
	1 Hour rated partition
	2 Hour rated partition

Forest Lake Dark Shell
Building 02
Haines City, Florida



Marlon Lynn
Architect, PA
A A 2 6 0 0 1 4 7 7

212 East Pine Street
Lakeland, FL 33801
P: 863.802.5966
marlon@marlonlynn.com
https://marlonlynn.com/



This item has been electronically signed and sealed by Marlon D Lynn, PA on the Date and/or Time Stamp shown using a digital signature. Printed copies of this document are not considered signed and sealed and the signature must be verified on any electronic copies.

Project number 21062
Date

No.	Description	Date

First Floor Plan

A1.11

1 First Floor Plan
1/8" = 1'-0"

© Copyright 2018. This drawing, the design and concepts shown are the property of Marlon Lynn Architects, P.A. and shall not be reproduced, copied, published, revised or used in whole or part without written consent. All rights reserved.

6/15/2023 5:37:14 PM